

LEVITAZ

HYDROFOILS

RACE SERIES BOARDS USER MANUAL

THANK YOU FOR CHOOSING LEVITAZ.

FOR THE BEST RIDE YOU NEED THE BEST GEAR. EXPERIENCE HIGH PERFORMANCE WITH LEVITAZ, AND FIND OUT HOW A PASSION FOR INNOVATION AND OUR TECHNICAL KNOW-HOW IN THE FOIL INDUSTRY COMBINE TO PRODUCE SUPERIOR EQUIPMENT – DESIGNED TO ENABLE RIDERS TO STEP UP THEIR GAME IN ANY CONDITIONS.

FLY OVER WATER

CONTENTS

1 INTRODUCTION.....	5
2 WARNING AND SAFETY PRECAUTIONS.....	6
3 FOIL BOARD OVERVIEW.....	8
4 FOIL BOARD ASSEMBLY.....	10
4.1 ATTACHING YOUR LEVITAZ FOIL TO YOUR FOIL BOARD.....	11
4.2 LEVITAZ TUTTLE BOX TECHNICAL DATA.....	13
4.3 FOOT STRAPS INSTALLATION.....	14
5 MAINTENANCE AND CARE.....	18
6 PACKAGING AND DISPOSING OF USED PARTS.....	19
7 REPLACEMENT PARTS.....	20
8 SERIAL NUMBER.....	20
9 WARRANTY POLICY.....	21


1 INTRODUCTION

GENERAL INFORMATION

The Levitaz foilboards are for foiling on water only. This manual contains important information about the proper use of the product and its safety. Follow these instructions carefully and precisely. This helps to reduce the risk of damage to the product, personal injury or death.

- This manual is part of the product.
- Keep this manual in a safe place for the entire life of the product.
- If the product is transferred to a new owner, this manual and all associated documents must be passed on to the new owner.

The meaning and appearance of safety symbols used in this manual are as follows:

 WARNING!	The text after the signal word “WARNING!” contains important information, which must be followed to avoid serious personal injury or death.
--	--

NOTICE!	The text after the signal word „NOTICE!“ contains information, which must be followed to avoid damage to the product.
----------------	--

Use of this product and any of its components, as well as hydrofoiling in any type of water sports involves certain inherent risks, dangers and hazards. Even if all the following instructions are followed, the risk of serious injury or death to you or others will not be eliminated.

Levitaz, a brand of Geislinger GmbH or any of its agents shall not be liable for any loss, cost, claim, damage, demand or expense you may suffer whatsoever arising as a result of your actions when using the product.

2 WARNING AND SAFETY PRECAUTIONS



WARNING!

Hydrofoiling in any kind of water sports is inherently a dangerous activity that can result in serious injury or death to the user or people in the proximity of the user, with or without a Levitaz product. These risks include drowning or being hit by the product if the user loses control of it. The product may increase the risk of some injuries to users or bystanders by adding additional structure to the board that may strike users or bystanders; by increasing the speed at which the board can be operated, or by changing the manner in which an out-of-control board reacts as it contacts water or ground during an out-of-control situation. The user of this product should understand that the use and participation in the sport and any foiling activity could cause injury or death to you and/or others around you.

OBSERVE THE FOLLOWING SAFETY STANDARDS WHENEVER USING THIS PRODUCT:

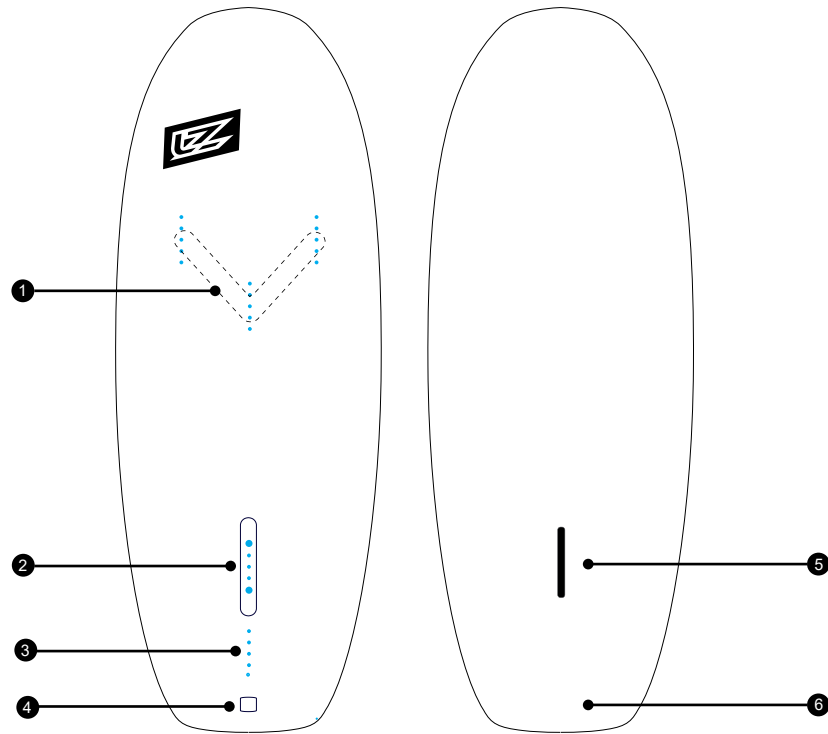
- Hydrofoiling and kite boarding are dangerous sports.
- Use of this product exposes the user to unexpected and unavoidable risks, dangers and hazards.
- Read the manual for important information about the installation, care and maintenance of the board before use.
- Always use extreme caution when using this product.
- Never use this product unless you are in good physical health.
- Never use this product unless you are an experienced swimmer.
- Never act in a careless manner when using this product.
- We do not recommend hydrofoiling in breaking surf.
- Always observe local rules and regulations when using this product.
- Always wear an approved life and protection vest.
- Always wear a suitable helmet.
- This product is designed for use on water only.
- Make sure you take lessons before using this product on the water. Never use this product in conditions that are above your ability level.
- Surf under control and do not use at speeds that exceed the skills of the rider.

- Never use this product in shallow water or near the shore, or near docks, pylons, swimmers or other activities.
- Do not use this product in thunderstorm and/or lightning conditions.
- The users are responsible for their safety and the safety of those around them.
- Components in this product are subject to the random forces of natural elements and are subject to irregular wear.
- Only use original Levitaz replacement parts.
- It is the user's responsibility to inspect equipment for wear before every use.
- It is the user's responsibility to repair and maintain this product.
- The use of damaged products is not allowed.
- Before riding ensure that the bolts are tightened with the tightening torque that is described in this manual.
- Geislinger GmbH is not responsible for injuries, death or damage to the product due to misuse or any use not consistent with these instructions.
- Do not use this product under the influence of alcohol, drugs or medications.
- Minimum age of rider: 18 years.
- At temperatures above ≥ 650 °C (1200 °F), decomposition of the carbon fiber can cause respirable fiber particles (WHO-fibers). Do not inhale combustion gases.

Failure to follow these instructions may increase the risk of serious personal injury or death, damage to the product or both.

3 FOIL BOARD OVERVIEW

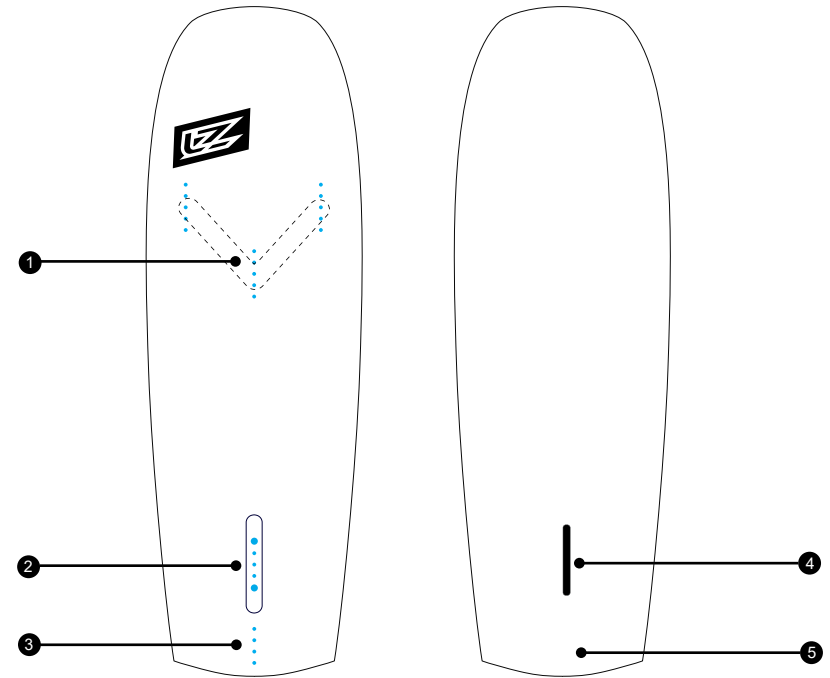
Drawing for BOOM Race Series:



- 1 - Front Foot Strap Inserts for V-Strap
- 2 - Tuttle Foil Mount Holes & Footstrap Mount
- 3 - Rear Foot Strap Inserts
- 4 - Leash Plug
- 5 - Tuttle Box
- 6 - Serial Number

Please note that the Foot Strap Insert position and amount as well as box positions do vary depending on the model.

Drawing for RAZE Race Series:



- 1 - Front Foot Strap Inserts for V-Strap
- 2 - Tuttle Foil Mount Holes & Footstrap Mount
- 3 - Rear Foot Strap Inserts
- 4 - Tuttle Box
- 5 - Serial Number

Please note that the Foot Strap Insert position and amount as well as box positions do vary depending on the model.

4 FOIL BOARD ASSEMBLY

Please note that the Foils system is sold separately. For Foil assembly please see the Levitaz Hydrofoil Manual online at levitaz.com.

NOTICE!

Do not use power tools for the assembly or disassembly process. This may cause serious damage to the product as control of torque and power is limited. Doing so will render your warranty void.

NOTICE!

Over tightening screws can cause irreversible damage to the inserts. Doing so will render your warranty void.

NOTICE!

Use the Inbus tool provided in the scope of delivery. Using the wrong tool will damage the screw head and create sharp edges that will cause harm.

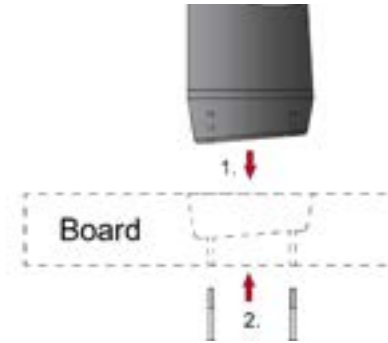
NOTICE!

Ensure that all surfaces are free from dirt or sand prior to the assembly. Pay close attention to the Board Adapter on the foil system and the board tracks.

4.1 ATTACHING YOUR LEVITAZ RACE SERIES BOARD TO YOUR RACE SERIES FOIL

The Levitaz Race Series boards can be used, depending your ordered configuration, with hydrofoils that have a turtle box. The turtle box is not standardized. Always check dimensions before assembly. See 4.2.

The connection bolts between the hydrofoil and the board are always delivered within the scope of delivery of the board by Levitaz because their length depends on the board's shape (thickness in box area). Please make sure to use stainless M6 bolts provided with a minimum strength class 70 if you lost the original provided.



Adjust the brass cylinder head screws in the mast to the appropriate position for securing the mast and foot straps.

Note that the inclined surfaces from the mast and the turtle box fit together and are clean of any objects like dirt or sand prior to the assembly.

Before proceeding, apply a small amount of the Loctite grease provided in the Tool kit onto the threads and undersides of the heads on the two screws.



The leading edge of the mast should be pointing towards the nose of the board. Insert the mast into the Turtle box of the board.

TIP: If you keep the mast cover on you can prevent damage or contamination (e.g., grease) on the surface.

Ensure that the mast is inserted evenly, with equal depth at both the front and back. There should be a small, even gap at the front and rear.



The transition from the mast box section to the mast profile section should be parallel to the underside of the board and perpendicular to the board's surface.

When the mast has entered approximately 95% into its final position, you are ready to flip the board.

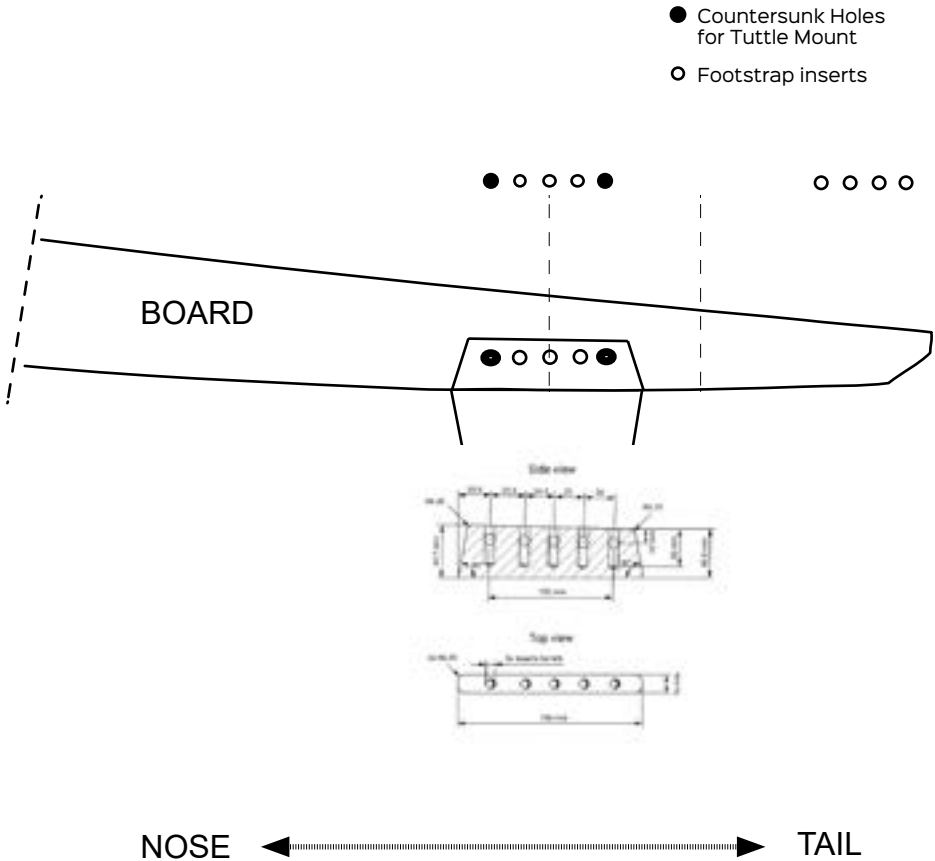


Insert the screws through the deck into the brass nuts in the mast. Carefully screw them in clockwise, ensuring they are correctly aligned and not crooked. The screws should turn easily with minimal force. Do not force the screws; if resistance is encountered, stop and realign the brass nuts. If a screw does not easily thread in, remove the mast and realign the brass nuts precisely. Gradually tighten the front and rear screws alternately until the mast is securely positioned in the Tuttle box. After the mast is in place, secure the front foot strap screw into the mast following the same procedure as above.

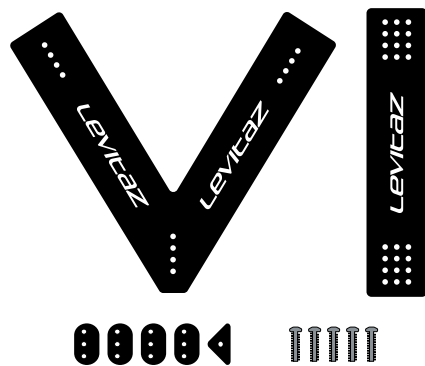
Re-tighten the bolts after a few minutes of riding, as the mast will have found its final position inside the tuttle box.
(Tightening torque 9 +/- 1 Nm)

NOTICE!	If any brass nut is damaged, such as from misaligned screw insertion, replace it before proceeding.
NOTICE!	Ensure that you tighten the bolts in an alternating sequence until the foil system is fully secured and the bolts are firmly tight. Tightening with the wrong sequence or wrong tightening torque will damage the boards deck laminate, tuttle box, mast inserts and create sharp edges that will cause harm.

4.2 LEVITAZ TUTTLE BOX TECHNICAL DATA



4.3 FOOT STRAPS INSTALLATION



Inventory List

- 1 pc V-Strap
- 1 pc Single Strap
- 1 pc Triangle Washer
- 4 pcs Single Washers
- 5 pcs 6 x 25 mm Self-Tapping Screws

The Levitaz Straps are designed to fit a range of possible positions allowing you to customise your stance position to suit your personal preference and size.

On all Levitaz Foil Boards with strap screw inserts the base spacing between each insert is consistent. For a narrow stance use the innermost screw inserts, for a wider stance move outwards with a maximum stance option by using the outmost screw insert.

Please note that the strap specification and scope of delivery varies depending on the model.

NOTICE!

Do not use power tools for the assembly or disassembly process. This may cause serious damage to the product as control of torque and power is limited. Doing so will render your warranty void.

NOTICE!

Tighten the screws firmly. Over tightening screws can cause irreversible damage to the inserts. Doing so will render your warranty void.



Ensure the straps, board, screw inserts and screws are free from dirt and sand.

Place the plastic washer under the nylon cover of the strap and line it with the screw inserts on the board.



Insert the farest behind screw through the plastic washer into the screw insert of your choice. Tighten the screw firmly.



In order to mount the rear strap over the tuttle box keep in mind to use the foot-strap screw which is dedicated for the strap mount into the mast insert.

Tip: Check chapter 4.2 Levitaz Tuttle Box Technical data to get an overview which holes to use.



Use same method as uppermost for the installation of the remaining straps. Use triangle washer for the-V strap. Position the triangle washer as shown in the picture.

NOTICE!

For multiple assembly in same foot strap insert: Make sure that you insert the screw into the pre-tapped threads. The thread of initial mount should always be reused. Non-observance will cause irreversible damage to the inserts.

5 MAINTENANCE AND CARE

- Clean your Levitaz board in fresh water after every use.
- Use recommended Levitaz Hydrofoils foot straps and accessories.
- Check your board prior to each use. Ensure that the screws are tight and that there are no cracks or holes which could compromise your boards structure.
- Do not overtighten screws as they are subject to extreme loads. Screw tightness should be checked regularly.
- Avoid unnecessary sun exposure to your board.
- Avoid exposure to hot temperatures like inside an unventilated car.
- Store your Levitaz board in a suitable board bag for optimal protection to prevent from any unnecessary tear and wear.
- Do not place heavy parts on top of the product.

Storage Temperatures:

NOT PERMITTED	OPTIMAL	PERMITTED UP TO	NOT PERMITTED
< -30 °C (-22°F)	-10°C - +25°C (+14°F - +77°F)	+45°C (+113°F)	> 45°C (+113°C)

NOTICE!

Failure to do so may cause serious damage to the product and void the warranty.

6 PACKAGING AND DISPOSING OF USED PARTS

All parts are packed in a cardboard box

- Take the parts out of the box.
- Remove the packing film from the product parts.
- Check the product parts for the completeness of its scope of delivery.
- Check the product parts for possible damage that may have occurred during transportation.
- The cardboard box and PE film can be recycled.

After replacing individual components:

- All metal parts can be recycled (scrap metal).
- The board and straps must be disposed of as residual waste.

Federal, state or local regulations must always be observed when disposing of the product or parts thereof.

7 REPLACEMENT PARTS

NOTICE!

Use only original Levitaz replacement parts.

Failure to do so may cause serious damage to the product and void the warranty.

8 SERIAL NUMBER



Each board has an individual Part ID (serial number). On the Levitaz foil boards the serial number can be found at the tail on the bottom of the board.

9 WARRANTY POLICY

Levitaz warrants this board to be free from major defects — in material or workmanship — to the consumer, as defined by the EU Consumer Protection Act for a period of 24 months within the EU and six months outside the EU. If the customer is a company, it must inspect the goods provided immediately for non-conformances in quality and defects and must notify us in writing within two weeks from receipt of the goods; otherwise, assertion of warranty claims is excluded. To meet the deadline, the notice must be sent on time. This warranty is subject to the following limitations:

The warranty is valid only when this board is used for normal recreational activities and does not cover products used in rental or teaching operations.

The product is designed for normal use under typical foilboarding conditions and is not covered for damages resulting from excessive force, impacts, or misuse. Damage caused by hard landings, crashes, or collisions with obstacles (such as rocks or other hard surfaces) is not covered by this warranty.

Levitaz will make the final warranty determination, which may require inspection and/or photos of the equipment that clearly show the defect(s). If necessary, this information must be sent to the Levitaz head office or official distributor in your country – postage prepaid. The product may be returned only if a return authorization is given in advance by the Levitaz head office or official distributor.

If a product is deemed to be defective by Levitaz, the warranty covers the repair or replacement of the defective product only. Levitaz will not be responsible for any costs, losses or damages incurred as a result of loss of use of this product.

The warranty does not cover damage caused by misuse, abuse, neglect, or normal wear and tear including, but not limited to: punctures, damage due to improper handling and storage, damage caused by crashing or excessive impacts, or damage caused by exposure to harsh environmental conditions such as excessive sun or saltwater corrosion. Regular maintenance and care are essential to prevent premature wear. We recommend following our care instructions to maximize the lifespan of the board.

This warranty is void if any unauthorized repair, change or modification has been made to any part of the equipment. The warranty for any repaired or replaced equipment is valid from the date of the original purchase only. The original purchase receipt must accompany all warranty claims. The name of the retailer and date of purchase must be clear and legible. A claim form can be downloaded from levitaz.com.

There are no warranties which extend beyond the warranty specified herein.



FLY OVER WATER

LEVITAZ HYDROFOILS
a brand of Geislinger GmbH
Hallwanger Landesstr. 3
5300 Hallwang / Salzburg
AUSTRIA
office@levitaz.com
www.levitaz.com



For all product care instructions and full user manuals please visit: <https://levitaz.com/download>